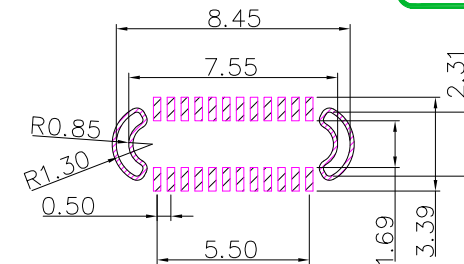




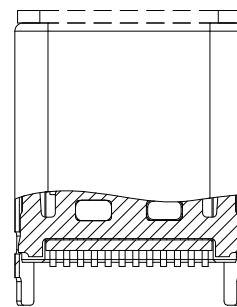
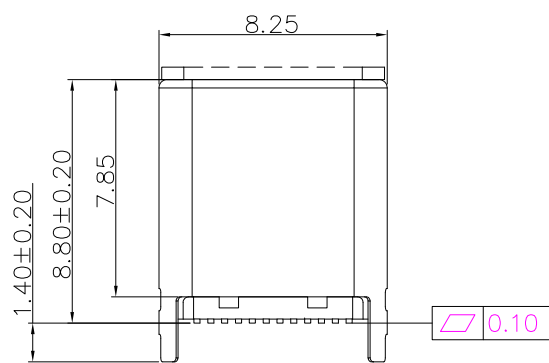
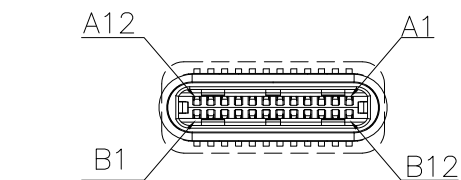
SBC-241VS1-43x-S338

鍍層厚度：

Blank : 1u"
2 : 15u"
3 : 30u"



RECOMMEND P.C.B LAYOUT



SPECIFICATIONS

Electrical:

- 1.Rating: 5.0V , 5.0A
- 2.Dielectric Withstand Voltage: 100V AC
- 3.Contact Resistance: 40 mΩ Max
- 4.Insulation Resistance: 100 MΩ Min

Mechanical:

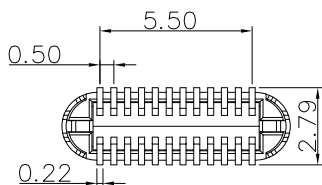
- 1.Connector Mate and Unmate Force
 - 1.1 Mate force: 5~20 N
 - 1.2 Unmate force: 6~20 N

Material:

- 1.Housing: LCP
- 2.Contact: C7025
- 3.Shell: SUS
- 4.Latch: SUS

Finish:

- 1.Contact: Plated Gold in Mating Area ;
Tin Plated on Solder Balls ;
Nickel under plated overall
- 2.Shell: Nickel under Plated surface layer
- 3.Latch: Tin Plated on Solder Balls ;
Nickel under plated overall

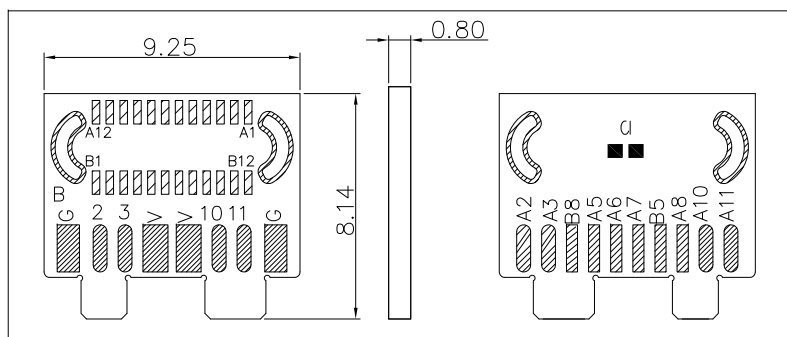


CONTACT CIRCUIT:

CONN PIN	PCB PIN	CONN PIN	PCB PIN
A1,A12,B1, B12,SHELL	GND	A10	A10
A4,A9,B4,B9	V	A11	A11
A2	A2	B2	B2
A3	A3	B3	B3
A5	A5	B5	B5
A6	D+	B8	B8
A7	D-	B10	B10
A8	A8	B11	B11

TABLE2:
PINS DESCRIPTION,ONLY USED FOR 3.1 SERIES.

A12	A11	A10	A9	A8	A7	A6	A5	A4	A3	A2	A1
GND	RX2+	RX2-	VBUS	SBU1	D-	D+	CC	VBUS	TX1-	TX1+	GND
GND	TX2+	TX2-	VBUS	Vconn			SBU2	VBUS	RX1-	RX1+	GND
B1	B2	B3	B4	B5	B6	B7	B8	B9	B10	B11	B12



CONTACT 建倚科技股份有限公司
CONTACT TECHNOLOGY CORP.

TOLERANCE UNLESS OTHERWISE STATED:
Up to 5 ±0.2
Above 5 ~ 15 ±0.3
Above 15 ~ 30 ±0.4
Above 30 ~ 50 ±0.5
Angle ±0.3°

3RD. ANGEL'S



UNITS MM

DRAWN BY:	DATE	MAT'L	TITLE	CONNECTOR
Jack Lu	09/26/23			
CHECKED BY:	DATE	FINISH	MODLE	USB4 GEN 2 20G MALE VERTICAL H8.8mm SMT 帶EMC
Jacky Chen	09/26/23			
APPROVED BY:	DATE	SCALE	DWG NO.	SBC-241VS1-43x-S338
Tony Kao	09/26/23	1 : 1	PART NO.	SBC-241VS1-43x-S338
		SHEET NO.	1 of 1	SIZE A4
				VER R

ITEM NO.	DESCRIPTION	DRAWN	DATE